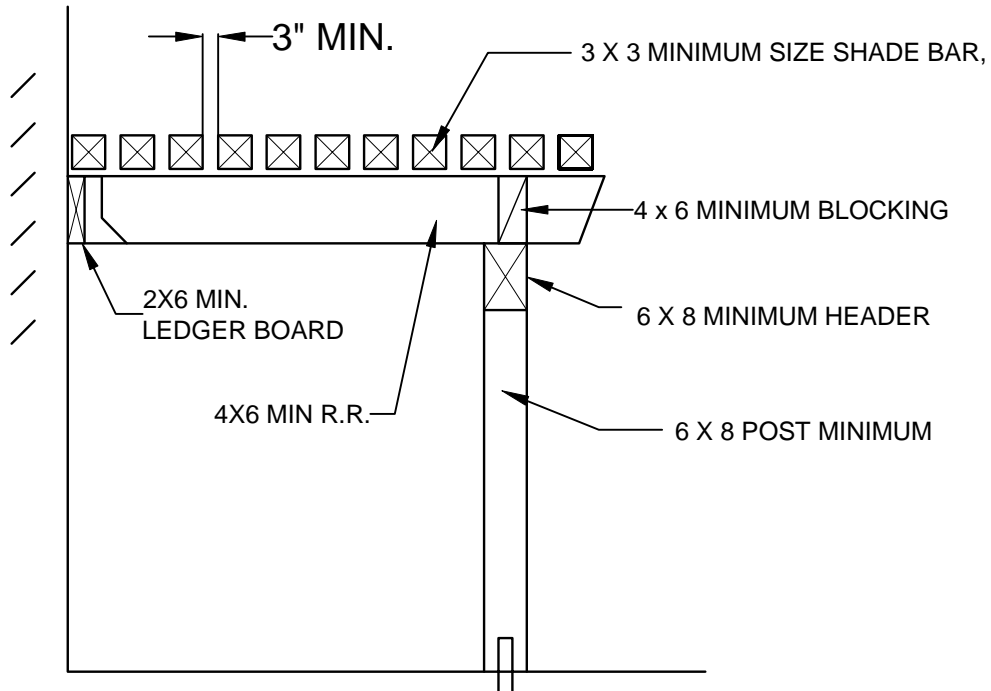


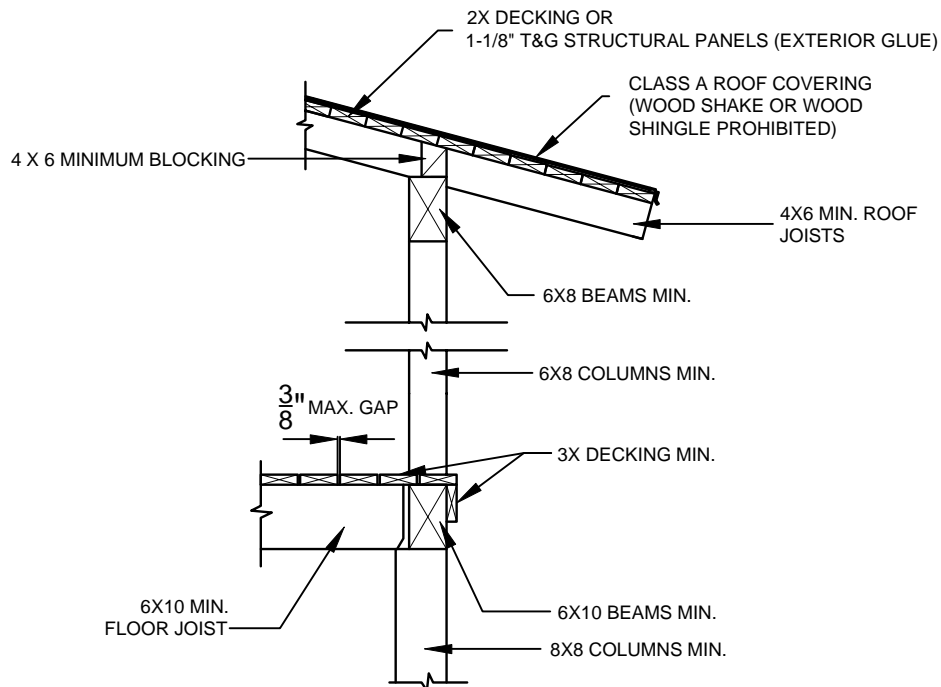


COUNTY OF LOS ANGELES
DEPARTMENT OF PUBLIC WORKS
BUILDING AND SAFETY DIVISION

VERY HIGH FIRE HAZARD
SEVERITY ZONE
PATIO & DECK DETAILS



SHADE BAR PATIO



HEAVY TIMBER FOR DECKING